

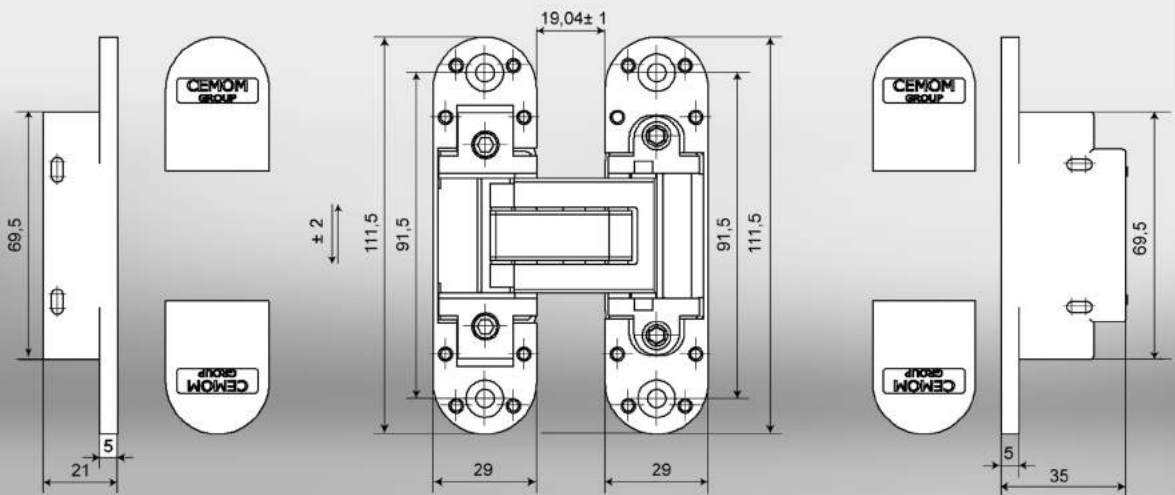
# ESTETIC 80/A



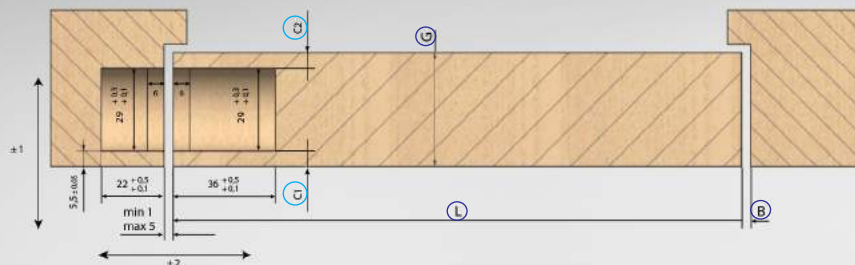
# ESTETIC 80/A



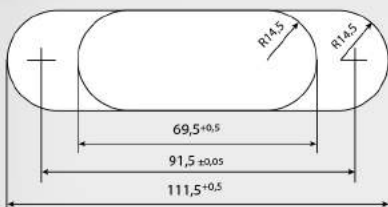
Load Capacity	Number of hinges	Width of DOOR "L"			
		700	800	900	1000
	2	88kg	84kg	80kg	72kg
	3	100kg	96kg	90kg	80kg
	4	110kg	106kg	100kg	90kg



Position of the hinge in relation to the required dimensions of the door and frame.



Dimensions of socket



Minimum slot "B"	Thickness of the DOOR "G"	Width of the DOOR "L"				Thickness of the DOOR "G"	C1	C2
		700	800	900	1000			
40	2mm	2mm	2mm	2mm	40	5,5mm	5,5mm	
60	4mm	3mm	3mm	3mm	60	5,5mm	25,5mm	
80	6mm	5mm	5mm	4mm	80	5,5mm	45,5mm	